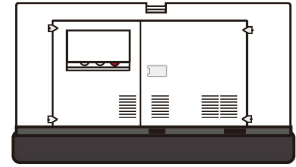
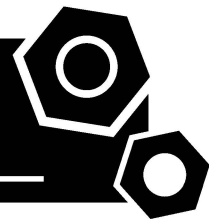


# PRPOWER



**Generator set**  
**Sound-proof type**  
**PR18P-S-SAE**

## **SPECIFICATIONS**



**[www.prpower.com](http://www.prpower.com) | 1300 399 499**

PR Power reserves the right to make changes in model, technical specification, colour, configuration and accessories without prior notice. Please contact the sales team before ordering.

Rev. [April].[2024]

## 1 Standards & Conditions

### Design Standards

The designs and the productions are in conformity with:

- Conformance Européenne (CE)
- ISO8528-5:2005
- AS 3000-2018
- AS 3010-2017

### Environmental Operating Conditions

- Installation place: Outdoors or indoors (well ventilated).
- Ambient temperature: -25°C to 50°C. The coolant heater is needed when the temperature is below 5°C
- Humidity: Less than 80%.
- Altitude: Below one thousand (1000) meters.

### Factory Inspection

- Inspection items.
- Protection devices working test.
- Starting ability in normal temperature.
- 50% rated power load moment capability.
- Voltage deviation and speed variation: 0%, 25%, 50%, 75%, 100%, 110% Load.

### Painting Process

- Painting process specifications and colors are based on the manufacturer's standard.
- The customer could also choose the color which the manufacturer offers.

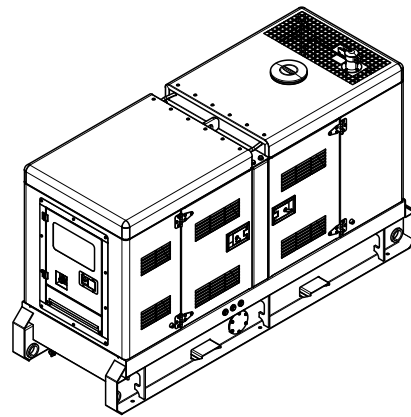
## 2 General Features

- Perkins engine 404D-22G
- Close coupled to LSA alternator LSA42.3S4
- Microprocessor control module PLC-920
- Main circuit breaker: 100A
- Rotate speed governor: Mechanical governor
- Excitation system: Self excited,SHUNT
- A.V.R model: R250
- Key switch
- Emergency stop switch
- ATS (automatic transfer switch) receptacle
- 1x12V/72AH sealed for life maintenance free battery

- Lockable battery isolator switch
- Powder coated canopy
- 50°C radiator
- Oil pump on the engine
- Steel base frame with lifting lugs
- Vibration isolators between the engine/alternator and base frame
- Dry type air filter
- Base fuel tank for 28 hours running
- Drain points for fuel tank
- Operation Manual / Specifications

## 3 Equipment Specification

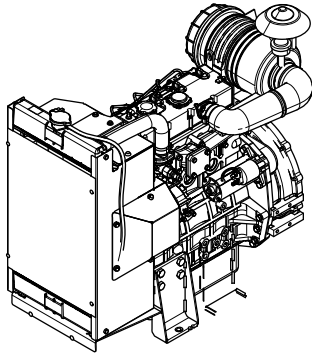
### General technical data



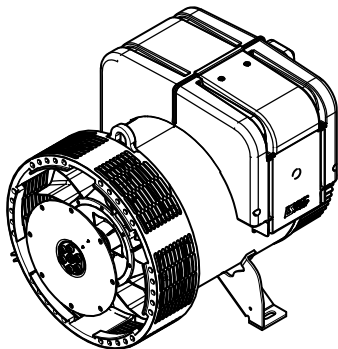
Model.....PR18P-S-SAE  
 Structure type .....RS  
 Tank capacity ..... 140L  
 Dry weight..... 1028kg  
 Noise level @7m ..... 67.0dBA  
 Dimensions L×W×H..... 2300x863x1358mm  
 Standby Power ..... 22kVA/18kW  
 Prime Power ..... 20kVA/16kW

Voltage	220V	230V	240V		
Ampere	90.9A	86.9A	83.3A		
<b>Genset Fuel Consumption</b>					
Frequency/Load	25%	50%	75%	100%	110%
50Hz (L/h)	N/A	2.7	3.8	5.0	5.7

## Dck Yf 'GrngYa

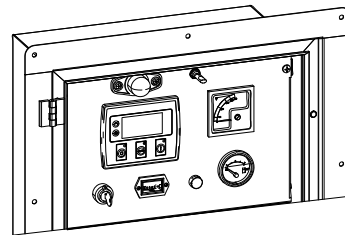


Engine Manufacturer/Brand.....	Perkins
Engine Model.....	404D-22G
Dimensions L×W×H.....	915×477×840mm
Dry Weigh (approx.) .....	242kg
Number of Cylinders.....	4
Bore.....	84mm
Stroke.....	100mm
Displacement.....	2.216L
Compression Ratio .....	23.3
Type of injection.....	Indirect injection
Intake System.....	Natural aspirated
Intake Resistance.....	≤6.4kPa
Cooling System .....	Water cooled
Fan .....	Pusher
Battery Voltage.....	12V
Type of Fuel.....	EPA2D 89.330-96/CEC RF-06-99
Type of Oil .....	API-CH-4/ ACEA E5
Oil Capacity .....	10.6L
Type of Coolant .....	Glycol mixture
Coolant Capacity.....	7.0L
Back Pressure .....	≤10.2kPa
Standby Power .....	20.6kW
Prime Power .....	18.7kW
Fuel Consumption(100%load).....	243g/kWh



Alternator Manufacturer/Brand .....	Leroy Somer
Alternator Model .....	LSA42.3S4
Exciter.....	Brushless
Cooling Fan .....	Plastic
Windings.....	100% copper
Insulation Class .....	H
Winding Pitch.....	2/3
Terminals .....	4
Drip Proof .....	IP23
Altitude.....	≤1000m
Overspeed .....	2250rpm
Air Flow.....	0.135m³/s(50HZ),0.165m³/s(60HZ)
Voltage Regulation .....	±1.0 %
Total harmonic TGH / THCat no load < 1.5 % - on load < 5%	
Telephone Interference.....	THF<2%;TIF<50

## PLC-920 Control System

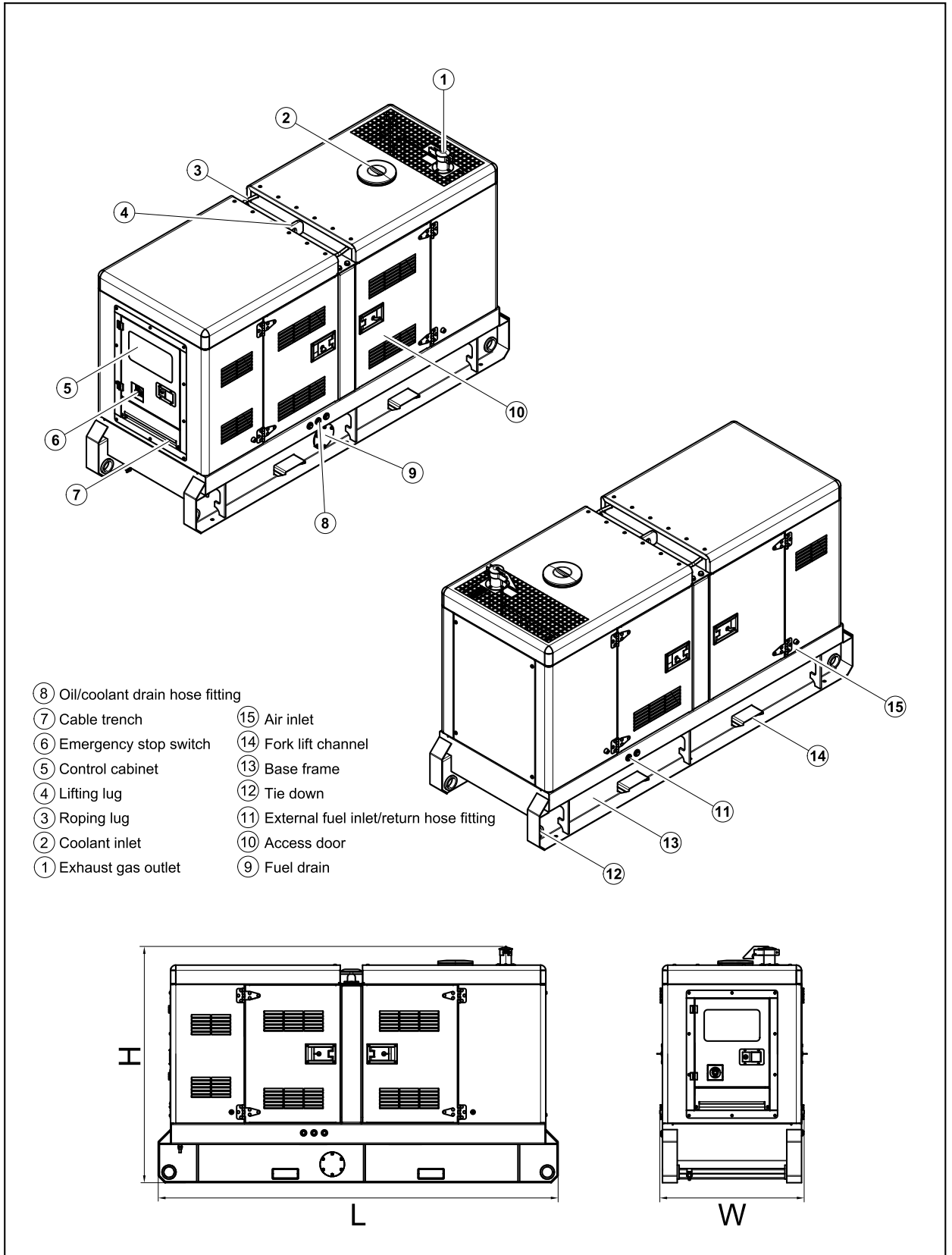


PLC-920 is an advanced control module based on micro-processor designed to control the engine via a key switch and push buttons on the front panel. The module is used to start and stop the engine and indicate fault conditions, automatically shutting down the engine and giving a true first up fault condition of an engine failure.

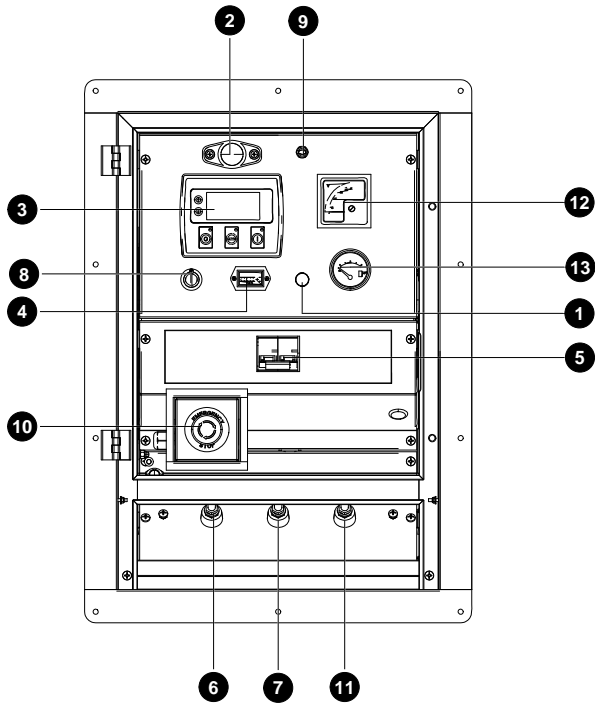
### Standard Control Function

- Manual Engine Control Module
- Low Oil Pressure
- High Engine Temperature
- Auxiliary Shutdown
- Overspeed Protection
- Protection hold-off timer
- Charge Failure warning

## 4 Overall Dimensions

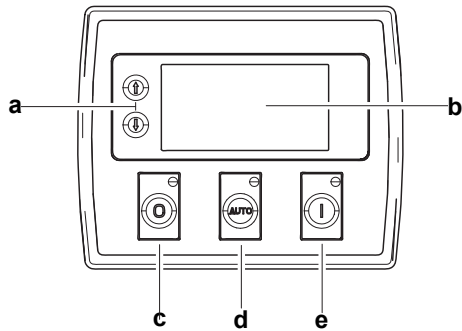


## 5 Control System



**Control & Field wiring cabinet**

Ref.	Description
1	Indicator
2	Control cabinet lamp
3	Control module
4	Time counter
5	Main circuit breaker
6	Neutral wire terminal
7	Neutral wire terminal
8	Key switch
9	Control cabinet lamp switch
10	Emergency stop switch
11	Ground wire terminal
12	Voltmeter
13	Voltage change-over switch



**Control module**

Ref.	Description
a	Navigation button£» Accept (Configuration mode only)
b	Main status display
c	Stop/reset button£» Next page (Configuration mode only)
d	Auto start button£» Decrease value/next item (Configuration mode only)
e	Start button£» Increase value/next item (Configuration mode only)

1000035492-A3-E

01.2022